



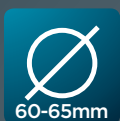
PAL Fibreglass

Recessed LED light with Colour Touch Technology for fibreglass and vinyl liner pools

FEATURES:



No transformers,
no switch wires,
no switch



Fits
60-65mm
hole



Wireless
colour touch
technology



RF control



Wi-Fi control-
apps available



Regulated
12volt DC
power supply
for longer life



Even glow,
no shadow



Approved to
IEC/AS/NZ

PAL Fibreglass

Colour Control

Control colour, speed, brightness and modes

Wireless Touch

Wi-Fi tablets and smartphones

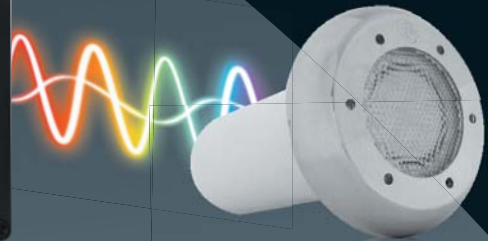
Colour Touch Technology

Memory Recall

Remembers last colour, speed and brightness

Auto Sync

Automatic sync of your PAL lights every time



APPLE OR ANDROID DEVICES

Operating dist: 50 - 70metres

RF HANDSET

Part No: PCT-1
Operating dist: 50 - 70metres

IP 65 RECEIVER/DRIVER

Part No: PCR-4
50watts / 12volts
Wi-Fi and RF
Approved to IEC/AS/NZ

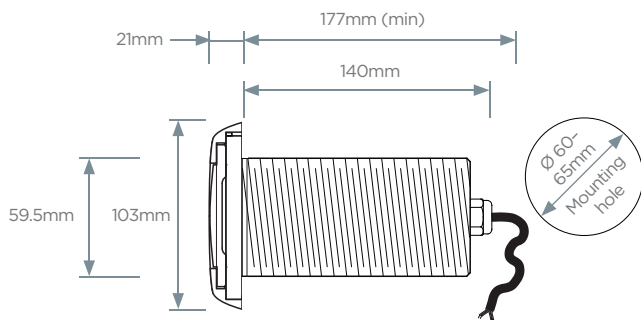
PAL FIBREGLASS ACCESSORIES

Part No: PAL-4F 3.5watts
50,000 hour life
Changeable lamps for upgrades and replacement
316 fibreglass cover

System Link

Allows you to link multiple systems for home and pool automation

DIMENSIONAL DETAILS



PART NUMBERS

Color Touch	Code
24metre PAL-4F with LAU-4 fitted	42-4F20L
24metre PAL-4F with LAP-4 fitted	42-4F20P
Fibreglass 316 stainless steel cover	42-4FS
Adaptor kit to convert PAL-4F to vinyl light	39-2VA
Drivers/Transmitters/Wi-Fi	
PCR-4 driver fitted with 10A supply lead and plug with PCT-1 hand held transmitter and Wi-Fi ready but not fitted	42-PCR-4
PCR-4 driver fitted with 10A supply lead and plug with PCT-1 hand held transmitter and fitted w/- PCW-1 Wi-Fi module	42-PCR-4W
Spare PCT-1 hand held transmitter w/- wall holder supplied with 2x 1.5V batteries	42-PCT-1
Spare Wi-Fi module kit	42-PCTWF1



APPLE AND ANDROID APPS AVAILABLE AT ITUNES AND GOOGLE PLAY