

## WMV Series – Starburst Laminar

The Crystal Fountains Starburst Laminar is a high-tech illusion. The water is so well controlled it creates a 13mm continuous glass-like rod of water that hits the water virtually sound/splash-free. The Starburst Laminar comes complete with the Starburst effect you can activate or not. The Starburst creates a traveling ball of light that appears from opening to end of the water stream when connected to a fiber optic or LED source. This, combined with the built-in light, produces breathtaking light shows with fast programming and an unlimited color palette including white. Available in Freestanding or Niche versions.

### Versatile

- Multiple Laminars can produce a wide variety of patterns.
- You can produce multiple heights using a variable speed drive pump.
- The unit can be installed out of water or submerged to maximum water level shown.
- Can be flush mounted in a deck using niche model.

### Easy Installation

- Has up to 50° installation adjustment built in
- 3 cable lengths to choose from

### Programmable

- Each LED stream can be individually programmed for unlimited lighting shows

Made of high density polyethylene, ABS, stainless steel and brass with 26mm male n.p.t. LED light 12VDC. Available with animation panel to control lighting. **Water level independent.**

**Not all LED's are created equally. Crystal Fountains LED products produce a high intensity light and deliver perfect optical performance. Also see Crystal Fountains power/data and controller products to create a complete LED system.**

\*For interactive play do not exceed 6 meters per second.

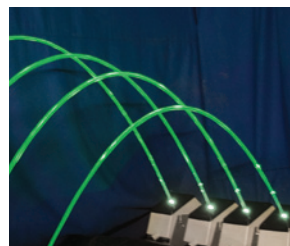
\*\*A filtered water supply is required (cartridge filter or 50 micron max.)

*\*Contact Crystal Fountains for detailed specifications, installation and operation details.*

VISIBILITY	■ ■ ■ □ □
SOUND LEVEL	■ ■ □ □ □
WIND RESISTANCE	■ □ □ □ □
SPLASH/MIST	■ ■ □ □ □
EFFICIENCY	■ ■ □ □ □



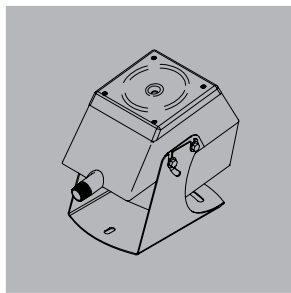
This product (WMV107 only) is available under our Quick Ship program! See page 15 for more details.



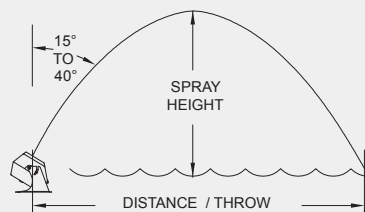
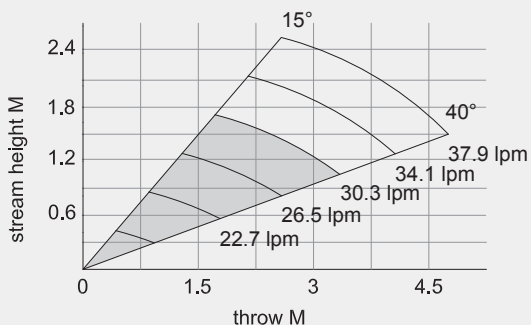
# WMV Series – Starburst Laminar

## Which Laminar Do I Need?

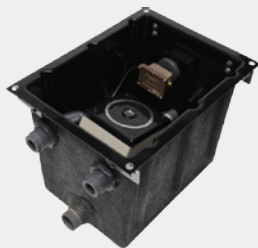
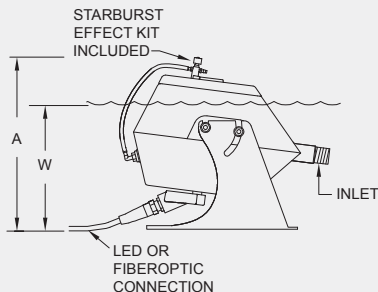
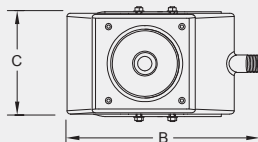
- 1. Choose Your Lighting Effect
- 2. Choose Your Mounting Type
- 3. Get Part Number



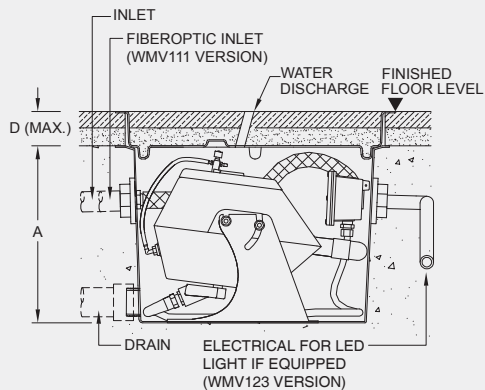
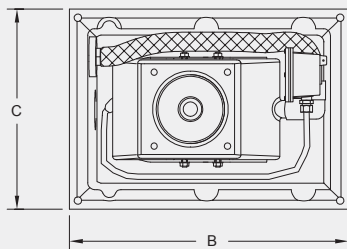
No Light or Fiberoptic Lighting		RGB LED Lighting	
Free Standing Laminar	Niched Laminar	Free Standing Laminar	Niched Laminar
WMV107	WMV111	WMV117	WMV123



WMV107/117



WMV111/123



## WMV Series – Starburst Laminar

### DIMENSIONS

Part No.	Inlet (b.s.p.t.)	a dim. (mm)	b dim. (mm)	c dim. (mm)	w dim. (mm)	Installation	Filtration Required
WMV107 / WMV117	1"	280	356	204	216	Residential	50 micron max.
						Commercial	5 micron max.

### DIMENSIONS

Part No.	Inlet (b.s.p.t.)	Drain Connection (mm)	a dim. (mm)	b dim. (mm)	c dim. (mm)	d dim. (max) (mm)	Installation	Filtration Required
WMV111 / WMV123	1"	51	420	578	432	77	Residential	50 micron max.
							Commercial	5 micron max.

## How to Order - Choose Your Fiberoptic Laminar

### CHOOSE MOUNTING

Mounting	Part No.
Stand	WMV107
Niche	WMV111

### CHOOSE CABLE

Cable For...	Cable Length	Part No.
WMV107 / WMV111 - No Light	No cable required for no light version	N/A
WMV107 / WMV111 - Fiberoptic	Fiberoptic Cable 100 Strand (per m.)	EL CORD 8

### CHOOSE ADDITIONAL OPTIONS

Options	Part No.
Fiberoptic Illuminator (fiberoptic light only)	CL1505

\* Note: To turn WMV107 or WMV111 into fiberoptic version a fiberoptic illuminator must be purchased with cable selection

\*\* Note: Power cable included in all WMV models

## Choose Your RGB LED Laminar

### CHOOSE MOUNTING

Mounting	Part No.
Stand	WMV117
Niche	WMV123

### CHOOSE CABLE

Cable For...	Cable Length	Part No.
WMV117	3 m.	EL CORD34
	6 m.	EL CORD36
	18 m.	EL CORD38
WMV123	Power Cable and LED Cable is Included with Laminar.	

### EXAMPLE OF HOW TO ORDER

Quantity	Product	Part No.
1	RGB LED Laminar with Niche	WMV117
1	3 m Cable	EL CORD34